

Amana®

Project #: _____

Item #: _____



AOC24 shown with door open

Heavy Volume Amana Commercial Microwave Model AOC24

Power Output

- 2400 watts of power for high power density
- Top and bottom magnetrons.

Increased Productivity

- Short cook times for single serving applications, up to 42% faster.
- Increased throughput by door automatically opening when cooking cycle is complete and remaining open until ready to cook.
- Closing door and pushing control pad is one operator motion.
- Door design does not interfere with kitchen flow.
- Small, "jigsaw" shaped footprint allows for back-to-back placement on a 28 1/2" (724 mm) shelf using only 13 3/8" (346 mm) of space. A shelf extender accessory attaches to an existing shelf to extend it out to 28 1/2" (724 mm).



Heavy Volume This category of microwave is ideal for...

Applications:

- Quick service restaurants
- single portions, bun warming

Through put potential:

- melts cheese on burgers in 8 seconds
- heats spinach dip from frozen in 1 minute 30 seconds
- heats macaroni and cheese from frozen in 1 minute 10 seconds

Location of ovens:

- kitchen shelf, single or back to back
- kitchen counter, single or back to back

Defrost:

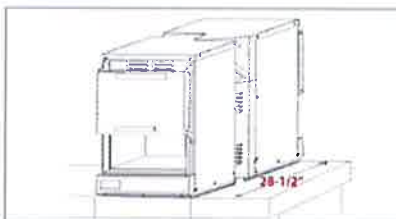
- defrosts most frozen food products



All ACP, Inc. commercial ovens are backed by our Culinary Center.

Easy to Use and Maintain

- Control panel located on bottom for convenient access and angled for easy viewing.
- Plug and play operation.
- Door extends out for easy cleaning.
- Limited 3 year warranty.
- Backed by our 24/7 ComServ Support Center, 866-426-2621.
- UL Listed for safety and sanitation.



Two units fit back-to-back on a 28 1/2" (724 mm) shelf in a 13 3/8" (346 mm) space



Conveniently located control panel is angled for easy viewing

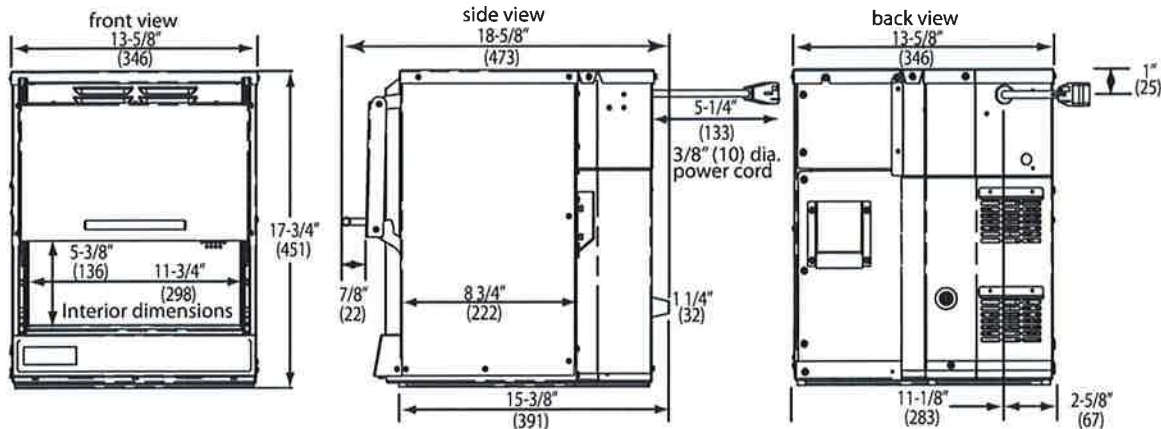
AIA File #:

Specification #:

ACP

Patents Pending


Amana Commercial Microwave Model AOC24 | Heavy Volume



Drawings available from KCL CADlog - techs@kclcad.com

Specification #:

Specifications

Model	AOC24	UPC Code 728028020847
Configuration	Countertop or shelf	
Control System	Touch, angled for easy viewing	
Programmable Control Pads	10	
Total Programmable Settings	100	
Max. Cooking Time	10:00	
Power Levels	11	
Defrost	Yes	
Time Entry Option	Yes	
Microwave Distribution	Rotating antennas, top and bottom	
Magnetrons	2	
Display	LED	
Stackable	Yes	
Stage Cooking	Yes, 4	
Door Opening	Automatic opening	
Signal	Door automatically opens at end of cycle	
Temp. Display	Yes	
Exterior Dimensions	D** 18 5/8" (473)	W 13 5/8" (346) H 17 3/4" (451)
Cavity Dimensions	D 8 3/4" (222)	W 11 3/4" (298) H 5 3/8" (136)
Door Depth	n/a	
Usable Cavity Space	.319 cubic ft. (.009m ³)	
Exterior Finish	Stainless steel	
Interior Finish	Stainless steel	
Power Consumption	3100 W	
Power Output*	2400 W* Microwave	
Power Source	208/230V, 60 Hz, 20 A single phase	
Plug Configuration / Cord	NEMA 6-20	5 1/4" (133mm) 
Frequency	2450 MHz	
Product Weight	70 lbs. (32 kg.)	
Ship weight (approx.)	73 lbs. (33 kg.)	
Shipping Carton Size	H 20 5/8" (524)	W 17" (432) H 22" (559)
UPS Shippable	ISTA 3A approved small parcel	

Measurements in () and not specified are millimeters

* IEC 705 Tested

** Includes handle

Specifications

Microwave oven door shall automatically open when cooking cycle is complete. Door shall remain open until ready to cook next item. To minimize space usage, door shall open upwards. Control pad shall be angled for easy viewing and located so door can be closed and control pad pushed in one ergonomic motion. Control pad shall be programmable with the ability to program up to 100 menu items, single or double digit entry. There shall be 11 power levels including defrost mode, and 4 cooking stages. Microwave shall have a 10-minute digital count-down timer. Microwave output shall be 2400 watts. Top and bottom magnetrons with rotating antennas shall provide uniform heat distribution throughout the cavity. Oven shall be stackable and have a compact, "jigsaw" shaped footprint for back-to back placement on a 28 1/2" (724 mm) shelf or countertop using only 13 5/8" (346mm). Oven cavity shall be stainless steel construction with stainless oven door. Bottom of .319 cubic ft. (.009m³) cavity shall be ceramic plate with a high temperature, cleanable seal. Microwave oven shall comply with standards set by the U.S Department of Health and Human Services, and UL Listed for both safety and sanitation.



Optional Accessories

Shelf extender accessory (OS10) attaches to an existing shelf to extend it out to 28 1/2" (724mm).

Warranty

Limited 3 year warranty:
 Year 1 - parts, labor, and travel are covered
 Years 2-3 - magnetron tube (part only) is covered

Service

All products are backed by our 
 24/7 ComServ Support Center. 866-426-2621

AIA File #:

