



HIGH PERFORMANCE HAS A NAME™

**Amana** MENUMASTER®

Project #: \_\_\_\_\_

Item #: \_\_\_\_\_



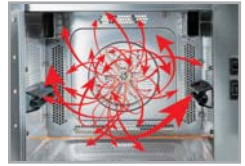
Model ACE14 shown

## Heavy Volume | Combination Cooking

### Amana Commercial Oven Model ACE14

#### Power Output

- Convection:
  - 2700 W
  - 150° - 475° F (65° - 250° C) temperature range
  - Convected air for enhanced toasting and browning
- Microwave:
  - 1400 W
  - Heats quickly, reduces cooking time



#### Cuts Costs

- Uses less energy than a conventional oven.
- Eliminates need for pre-cooking and holding.
- Uses quarter size metal trays, pans and screens.

#### Simplifies Cooking

- Touch pad operation for consistent results.
- Controls are intuitive and simple to use.
- Stores up to 100 menu items.
- Four stage cooking option.
- EZCard Menu Management System updates programming in seconds.
- 1.2 cubic ft. (.034 m<sup>3</sup>) oven capacity.
- Door opens 90°+ for full access to the oven cavity.
- Three rack positions.



#### Easy to Use and Maintain

- Stainless steel exterior and interior.
- Removable, cleanable air filter and clean filter reminder protect oven components.
- Limited 3 year warranty.
- Backed by the ACP, Inc. 24/7 ComServ Support Center 866-426-2621.
- UL CSA and NSF Listed.



## 4 times faster than conventional ovens.

### Heavy Volume | Combination Cooking

This category of combination oven is ideal for...

#### Application:

- Wine bars
- Pubs
- Kiosks
- Supermarkets
- Country club,
- Bakery/cafés
- Convenience stores

#### Through put potential:

- 6" Inch toasted sub sandwiches, 50 per hour
- 1 portion of 4 frozen crispy chicken wings, 25 portions (84 wings) per hour
- 1 frozen pre-baked fruit filled pastry, 20 per hour
- 12" frozen pizza, 10 per hour
- 1 frozen, pre-baked fruit filled pastry, 20 per hour

#### Location of oven(s):

- Kitchen shelf
- Kitchen countertop, single or stacked
- Equipment stand, single or stacked



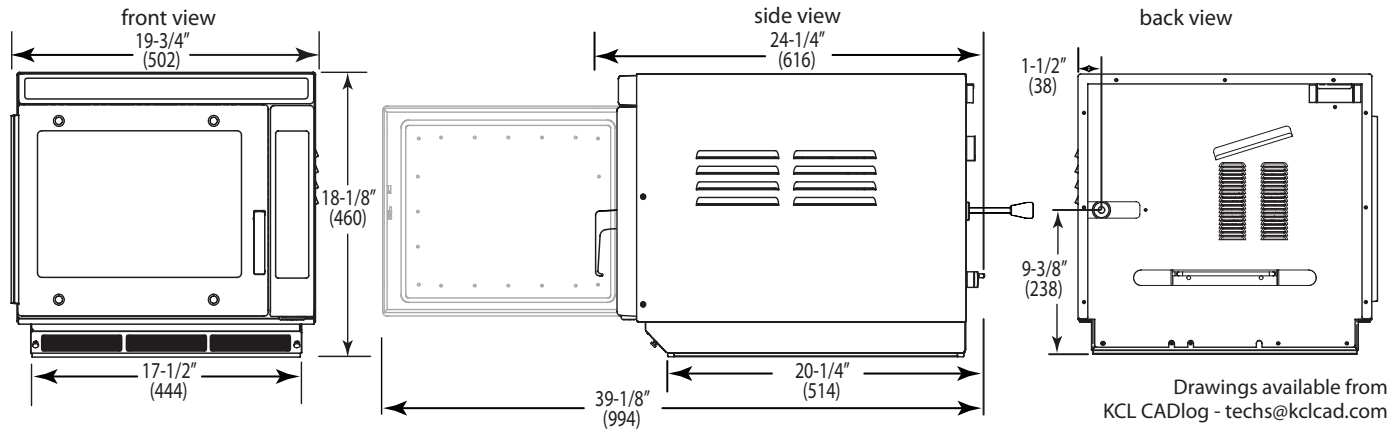
All ACP, Inc. commercial ovens are backed by our Culinary Center. Call us with any question regarding food preparation, menu development and cooking times. 866-426-2621.

A/A File #:


Specification #:

**ACP** **Amana** MENUMASTER®

# Amana Commercial Microwave Model ACE14 Heavy Volume | Combination Cooking



## Specifications

|                             |  |   |
|-----------------------------|--|---|
| Model                       | ACE14                                      | UPC Code 883049125343   |
| Cooking Power*              | 2700W                                      | 1400W   |
|                             | Convection                                 | Microwave   |
| Configuration               | Countertop                                 |   |
| Control System              | Touch                                      |   |
| Programmable Control Pads   | 10   |   |
| Total Programmable Settings | 100  |   |
| Power Levels                | 11   |   |
| Max. Cooking Time           | 20:00                                      |   |
| Stackable                   | Yes  |   |
| Time Entry Option           | Yes  |   |
| Microwave Distribution      | Rotating antenna, top                      |   |
| Magnetrons                  | 1  |   |
| Display                     | LED  |   |
| Stage Cooking               | Yes, 4                                     |   |
| Door Opening                | Lift and pull handle                       |   |
| Automatic Voltage Sensor    | Yes  |   |
| EZ Card Menu Management     | Yes  |   |
| Temperature Range           | 150° - 475° F (70° - 250° C)               |   |
| Air Filter                  | Yes, removable, with clean filter reminder |   |
| Fan Speed                   | 0-100%                                     |   |
| Rack                        | 3 rack positions, removable                |   |
| Exterior Dimensions         | H 18 1/8" (460)                            | W 19 3/4" (502) D** 24 1/4" (616)   |
| Cavity Dimensions           | H 10 1/2" (267)                            | W 13" (330) D 15" (381)   |
| Door Depth                  | 40" (1016), 90°+ door open                 |   |
| Usable Cavity Space         | 1.2 cubic ft. (.034 m <sup>3</sup> )       |   |
| Exterior Finish             | Stainless steel                            |   |
| Interior Finish             | Stainless steel                            |   |
| Power Consumption           | 3200 W, 16 A                               |   |
| Power Output*               | 1400 W* Microwave                          |   |
| Power Source                | 208 - 240 V, 60 Hz, 20 A single phase      |   |
| Plug Configuration / Cord   | NEMA 6-20                                  | 5 ft. (1.5 m)  |
| Frequency                   | 2450 MHz                                   |   |
| Product Weight              | 95 lbs. (43 kg.)                           |   |
| Ship weight (approx.)       | 102 lbs. (46 kg.)                          |   |
| Shipping Carton Size        | H 28 1/4" (718)                            | W 21 3/4" (553) H 21 1/2" (546)   |

## Specifications

Oven shall combine two cooking modes: convection and microwave for high speed cooking. Control panel shall be programmable with the ability to program up to 100 menu items, single or double digit entry. Programs shall be automatically updated with the use of a memory card system. There shall be 11 power levels and 4 cooking stages. Microwave output shall be 1400 watts and distributed from the top of the cavity. An automatic voltage sensor shall accommodate both 208 and 240 volts. The 2700 watt convection oven shall provide a temperature range from 150° - 475° F (70° - 250° C) in 25° increments. The convection fan located in the back of the cavity shall distribute the heat throughout the cavity to further enhance browning. Maximum microwave cooking time shall be 20 minutes. Oven shall have a stainless steel exterior. 1.2 cubic ft. (.034 m<sup>3</sup>) oven cavity shall be stainless steel construction with stainless oven door. Bottom of cavity shall be ceramic plate with a high temperature, cleanable seal. Interior shall have 3 rack positions. Air filter shall be easily accessible and removable from the front of the oven and have a "clean filter" reminder feature. Oven shall be stackable. Microwave oven shall comply with standards set by the U.S Department of Health and Human Services, and UL and CSA for safety and NSF for sanitation.



## Optional Accessories

- Pizza stone
- Drip tray
- Oven paddle

## Warranty

Limited 3 year warranty:  
 Year 1 - parts, labor, and travel are covered.  
 Years 2 - 3 - magnetron tube (part only) is covered.

## Service

All products are backed by the ACP, Inc. 24/7 ComServ Support Center.



Specification #:

AIA File #:

Measurements in ( ) are millimeters  
 \* IEC 705 Tested \*\* Includes handle

