



HIGH PERFORMANCE HAS A NAME™

**Amana** MENUMASTER®

Project #: \_\_\_\_\_

Item #: \_\_\_\_\_



Model RC17S2 shown

### Heavy Volume

This category of microwave is ideal for...

**Applications:**

- Casual dining
- Country clubs
- Healthcare/Nurses stations

**Through put potential:**

- 8 oz. portions of frozen mixed vegetable, 30+ portions per hour
- 8 oz. portions of fresh asparagus, 50+ portions per hour
- 4 oz. portion of scrambled eggs, 50+ portions per hour

**Defrost:**

- Defrosts most frozen food products



All ACP, Inc. commercial ovens are backed by our Culinary Center. Call us with any question regarding food preparation, menu development and cooking times. 866-426-2621.

## Heavy Volume

### Amana Commercial Microwave Model RC17S2

#### Power Output

- 1700 watts of power.
- 11 power levels for consistent, delicious results for frozen, refrigerated and fresh foods - from the freezer to table in minutes.
- Unique method of energy distribution provides superior even heating throughout the cavity.

#### Easy to Use

- Up to 100 programmable menu items simplifies cooking and ensures consistent results.
- Four stage cooking option with one-touch programming. Reduces prep time, labor and food waste while providing consistent results.
- Controls are user friendly and require minimal training.
- Multiple quantity pad calculates the proper cook times for up to 8 items.
- Automatic voltage sensor for easy installation.
- See-through door and lighted interior for monitoring without opening the door.
- Ample 1.0 cubic ft. (.028 m<sup>3</sup>) capacity accommodates two standard 4" (102mm) deep half-sized pans.
- Interior ceramic shelf is sealed and recessed to reduce plate-to-shelf edge impact and keep spills contained.
- Stackable to save valuable counter space.

#### Easy to Maintain

- Stainless steel exterior and interior for easy cleaning and a professional look.
- Constructed to withstand the foodservice environment.
- Removable, cleanable air filter and clean filter reminder protect oven components.
- Full 3 year warranty.
- Backed by the ACP, Inc. 24/7 ComServ Support Center, 866-426-2621.
- UL and NSF Listed.

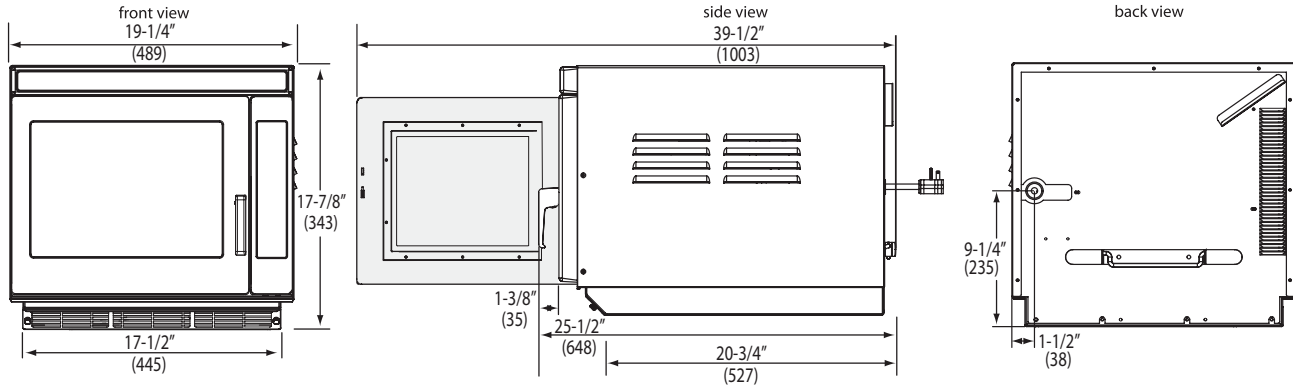


A/A File #:

Specification #:

**ACP** **Amana** MENUMASTER®

# Commercial Microwave Model RC17S2 | Heavy Volume



## Specifications

Model	RC17S2	UPC Code 042159061150
Configuration	Countertop	
Control System	Touch	
Programmable Control Pads	10	
Settings Programmable	100	
Max. Cooking Time	60:00	
Power Levels	11	
Defrost	Yes, power level 2	
Time Entry Option	Yes, 3	
Microwave Distribution	Double rotating antenna, top and bottom	
Magnetrons	2	
Display	LED	
Stackable	Yes	
Stage Cooking	Yes, 4	
Interior Light	Yes	
Door Opening	Lift and pull handle	
Signal	Adjustable, end of cycle	
Air Filter	Yes, removable, with clean filter reminder	
Call Service Alert	Yes	
Automatic Voltage Sensor	Yes	
Multiple Portion Setting	Yes, up to 8 items	
Exterior Dimensions	H 18 1/4" (464) W 19 1/4" (489) D** 26 1/4" (667)	
Cavity Dimensions	H 8 1/2" (216) W 13" (330) D 15" (381)	
Door Depth	40" (1016mm), 90°+ door open	
Usable Cavity Space	1.0 cubic ft. (.028m <sup>3</sup> )	
Exterior Finish	Stainless steel	
Interior Finish	Stainless steel with sealed-in ceramic shelf	
Power Consumption	2700 W, 13.8 A	
Power Output*	1700 W* Microwave	
Power Source	208 - 240V, 60 Hz, 20 A single phase	
Plug Configuration / Cord	NEMA 6-20 5 ft. (1.5m)	
Frequency	2450 MHz	
Product Weight	94 lbs. (43 kg.)	
Ship weight (approx.)	101 lbs. (46 Kg.)	
Shipping Carton Size	L 28 1/4" (718) W 21 3/4" (553) H 21 1/2" (546)	

Measurements in ( ) are millimeters

\* IEC 705 Tested

\*\* Includes handle

## Specifications

Commercial microwave 10 touch pad control panel shall be programmable with the ability to program up to 100 menu items and shall have automatic cooking capability for up to eight portions. Cooking timer shall be 60 minute, countdown style with a time entry option and an adjustable end of cycle audible signal. LED display shall be a backlit. There shall be 11 power levels, 4 cooking stages and defrost mode at 20% power. Microwave output shall be 1700 watts distributed by two magnetrons each with a rotating antenna to provide superior even heating throughout the cavity. An automatic voltage sensor shall accommodate both 208 and 240 volts. Heavy duty door shall have a tempered glass window and a grab and pull handle with a 90°+ opening for easy access. An interior light shall facilitate monitoring without opening the door. The large 1.0 cubic ft. (.028 m<sup>3</sup>) cavity shall accommodate two standard 4" (102 mm) deep half-sized pans. Interior ceramic shelf shall be sealed and recessed to reduce plate-to-shelf edge impact. Oven shall have a stainless steel interior and exterior and be stackable to save counter and shelf space. Oven shall have a removable, cleanable splatter shield. Air filter shall be easily accessible and removable from the front of the oven and have a "clean filter" reminder feature. A "call service alert" shall appear on display when service is needed. Microwave oven shall comply with standards set by the U.S Department of Health and Human Services, UL for safety and NSF for sanitation.



## Warranty

Full 3 year warranty:

All 3 years – parts, labor, and travel are covered.

## Service

All products are backed by the ACP, Inc. 24/7 ComServ Support Center.



866-426-2621

**ACP** *Amana* **MENUMASTER**<sup>®</sup>