

Introducing Effortless Cooking



The Commercial High Speed Oven from Sharp



Professional Quality

Sharp's new Commercial High Speed Oven makes cooking easy, because it's pre-programmed to cook popular menu items. In addition to ease of use you'll save money and space because you won't need a separate microwave, grill, convection oven or pretzel warmer. Plus with the R-8000G High Speed Oven you will save time because Sharp employs the latest advances in cooking technology. This microwave-assisted convection oven bakes, browns and crisps. It's ideal for bars, bed and breakfasts, inns, hotels, delicatessens, or any other kitchen that needs an easy way to expand its menu.

Preprogrammed settings make it easy

With Sharp's Commercial High Speed Oven, any of the 60 most popular menu items can be prepared easily and effortlessly. Simply put the food in the oven and follow the prompts on Sharp's 3-line, 30-character display. It's that simple.

Preprogrammed categories include *Convenience Appetizers & Snacks*, like French Fries, Poppers and Tamales, and *Convenience Meats, Fish & Poultry* for items such as chicken

nuggets, corn dogs and veggie patties. There's a *Baked Goods* category that includes sweet rolls and cupcakes as well as *Basic Cook* settings for foods like hamburgers, lamb chops and pork tenderloin.

SelectaProgram makes it yours

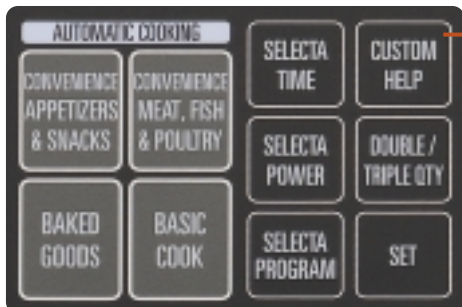
Sharp's Commercial High Speed Oven is loaded with proprietary technology that brings you more customizing options than ever before. SelectaProgram provides eight special cooking programs, such as Speed Grill, Express Defrost and Convection, so users are guaranteed perfect results.



An Oven Ready feature keeps the oven at 300° for a quick start!



Sharp's 3-line, 30-character display prompts users step-by-step through oven programming.



Custom Help provides access to six features that make using the oven easy because specific instructions are provided in the display.

Features	Benefits
Sound On/Off:	For audible or silent operation
Refresh Cycle:	For the removal of offensive odors
Counter Check:	To track totals and feature usage
Clear Counter:	Automatically sets counter back to zero
Memory Check:	Enables user to see what is programmed into each memory
Demo Mode:	For training staff and salespeople

Automatically cooks 60 menu items

Preprogrammed Settings

Convenience Appetizers & Snacks 17 choices

Frozen, ready-to-cook onion rings, potato skins, egg rolls, pizza



Convenience Meats, Fish & Poultry 16 choices

Precooked foods like chicken wings, sausage, fish sticks



Baked Goods 10 choices

Biscuits, cookies, rolls, muffins



Basic Cook 17 choices

Uncooked steaks, shellfish, grilled vegetables



It Does the Work

With the Sharp Commercial High Speed Oven, it's easy to cook menu items—even in double or triple servings. Simply select a setting, touch the double/ triple pad, and walk away. *Sharp does the rest.*



◀ **With Sharp's Commercial High Speed Oven, one to three servings of many foods can be prepared as quickly as three to six minutes.**

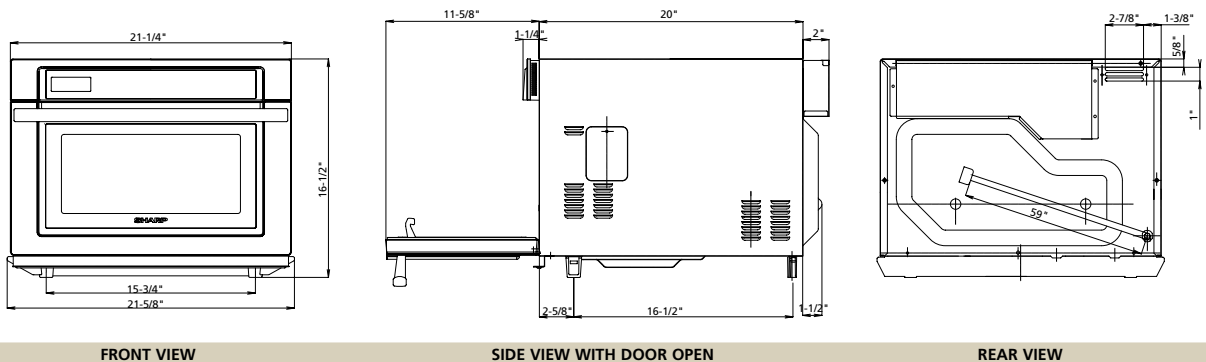


▲ The Sharp Commercial High Speed Oven employs a revolutionary system to circulate super-heated air within the oven cavity. It has a high-speed fan that moves air in two directions and at variable speeds—from the top and side. It automatically adjusts the flow of air to ensure that every menu item is prepared to perfection. This oven will even add microwave power as needed. As a result, foods are baked, browned, grilled and crisped in less time than ever before.

Specifications

Oven Capacity	1.1 cu. ft
Type of Oven/Control	High Speed Convection with Microwave Auto-Touch® Controls
Cooking Uniformity	Carousel® Turntable System with 13" diameter porcelain enamel turntable
Display	3-line 30 character lighted communication display
Oven Temperature Control	100°, 150°, 275° - 450°F, in 25°F, increments
Special Features	Automatic Cooking (Convenience Appetizers & Snacks 17 options, Convenience Meat, Fish and Poultry 16 options, Baked Goods 10 options, Basic Cook 17 options.) SelectaProgram 8 options for manual use. SelectaTime & SelectaPower microwave time and 11 power levels. Custom Help, 6 options including sound adjustment, memory check and counter check. Double/Triple Quantity. Oven Ready On/Off keeps oven at 300°F. Minute Plus, easy way to increase cooking time.
Color	Stainless Steel (interior and exterior)
Output Power	Microwave: 1000 watts Heaters: Top: 1500W / Side: 1200W Total: 2700 watts
Outside Dimensions (WHD)	21 5/8" x 16 1/2" x 23 1/4" (excluding handle) 21 5/8" x 16 1/2" x 25 1/4" (including handle)
AC Line Voltage	208 Volts, 20 Amps, 60hz, AC only NEMA 6-20P/R
AC Power Required	Microwave: 1800W 9.0 Amps Convection: 3250W 16.0 Amps Speed Cooking: 2900W 14.0 Amps
Approximate Weight	Net: 86 lb Shipping: 95 lb
Safety Compliance	FCC, UL, DHHS, NSF-4
Included Accessories	High rack, low rack, laminated touch guide
UPC Code	074000611856

Designs and specifications are subject to change without notice.



To Specify a Sharp R-8000G Commercial High Speed Oven

Oven shall comply with standards set by the U.S. Department of Health and Human Services, FCC, NSF-4 and UL and shall display such labels. Oven shall be equipped with 10 programmable microprocessor-controlled Memory pads that can expand to 20 separate programs. Manual cook times can be programmed in one-second increments. Oven shall have Electrically Alterable Read Only Memory (EAROM) to prevent selected programmed information from being erased due to power interruptions. Automatic cooking programs include Convenience Appetizers & Snacks, Convenience Meat, Fish & Poultry, Baked Goods and Basic Cook. There are 8 options under SelectaProgram for manual use. Microwave output wattage is 1000 watts. Top heater is 1500 watts and side heater is 1200 watts. Carousel turntable system provides uniform heating pattern. Oven shall be equipped with SelectaPower control to provide 0 to 100 percent power in 10-percent increments. Oven shall have Oven Ready function to keep oven preheated to 300 F. Oven shall feature Custom Help with 6 options for checking usage times as well as Demonstration Mode. Cavity will be stainless steel with an interior oven light. Turntable will be porcelain enamel. Exterior will have a stainless steel see-through oven door and control panel. The outer cabinet will be stainless steel. Oven will have self-diagnostics for easier service. Voltage required is 208. Oven will have a three-year limited warranty on the magnetron tube parts only and one year on parts and labor in the end user's place of business.

Sharp Electronics Corporation
Corporate Headquarters and Executive Offices
Sharp Plaza, Mahwah, New Jersey 07430-2135

www.sharppusa.com

For more information, call 201-529-8711 or fax 201-512-2040

Sharp Commercial Oven R-8000G is backed by a one year warranty for parts and labor in the end user's place of business. The warranty continues for an additional two years for a total of three years with respect to the magnetron tube. Labor and service are not provided free of charge for the additional period.

SHARP | be sharp™